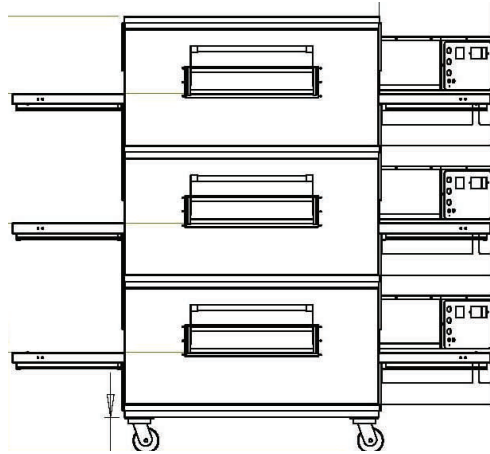




CUSTOMER _____

JOB NUMBER _____

E40MLP-1
E40MLP-2
E40MLP-3



E40MNG-1
E40MNG-2
E40MNG-3

GENERAL INFORMATION:

EDGE 40 Conveyor ovens are designed to be stacked three high. Each oven has a 32" wide conveyor belt and a 40" long baking chamber. A triple stack of EDGE40 ovens can produce large volumes in a fairly small footprint

STANDARD FEATURES:

- **AFFORDABLE** = EDGE40 ovens are affordably priced with an initial acquisition cost not much higher than a good quality reconditioned oven.
- **ENERGY EFFICIENT** = EDGE40 ovens use a modulating burner that modulates both gas and combustion air. This system allows for the lowest overall operating costs of any conveyor oven in its class.
- **LOW OPERATING COSTS** = Overall operating costs of the EDGE40 oven is about .74 cents per hour based on an oven temperature of 475 deg F, electricity costs at .10 per kwh, and natural gas costs at \$1.30 per Ccf.
- **MODULAR DESIGN** = EDGE40 oven uses a patent pending modular design that enables the oven to be bolted together instead of riveting and welding. This design allows the ovens to be installed in pieces without the use of any special lifting or rigging equipment.
- **REMOVABLE CONTROL CABINET** = EDGE40 control cabinet houses all the electrical and gas components except for the main motor. The control cabinet is part of the modular design and can be unbolted and returned to the factory for service or upgrades. An additional control can may be used as a spare to eliminate any trouble shooting or repairs to be done in the field.
- **CONSTRUCTION** = EDGE40 ovens are manufactured to exacting tolerances and use stainless steel inside and out.
- **WARRANTY** = EDGE40 ovens come with a detailed two year parts and labor warranty.
- **VENTALATION** = EDGE40 ovens must be used under a ventilation hood only. Hood system must conform to all local and applicable codes.
- **MANUFACTURING** = EDGE40 ovens are manufactured in our Dunbar, PA facility



EDGE OVENS
By MF&B Restaurant System
133 ICMI Road
Dunbar, PA 1543
1.888.480.EDGE
www.edgeovens.com



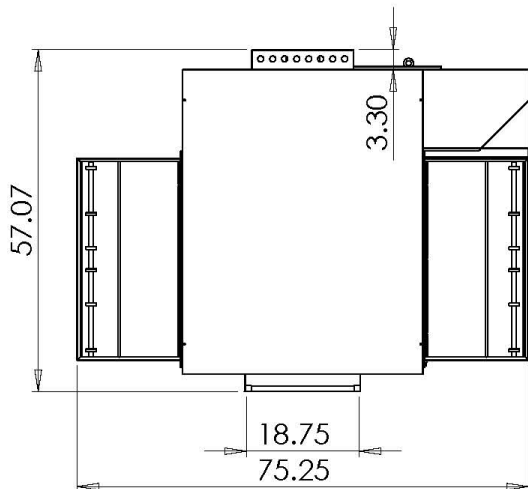
CUSTOMER _____

JOB NUMBER _____

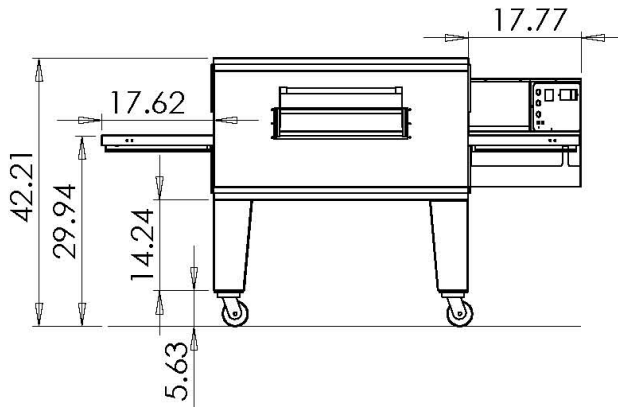


E40MLP-1
E40MLP-2
E40MLP-3

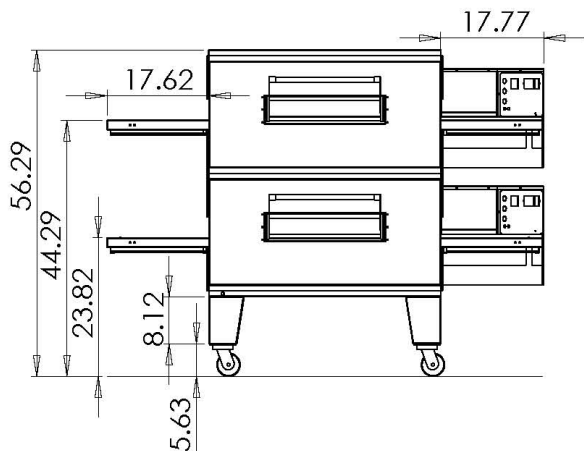
E40MNG-1
E40MNG-2
E40MNG-3



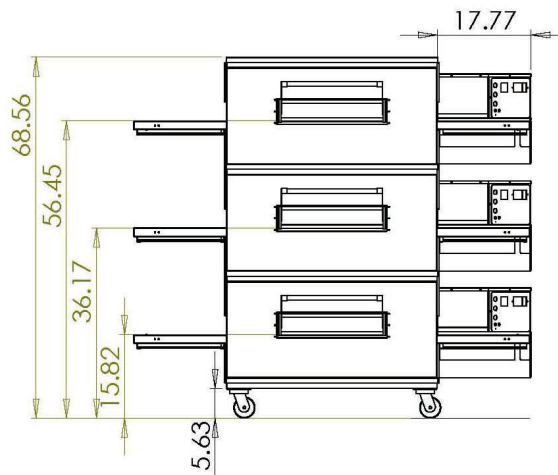
EDGE40 TOP VIEW



EDGE40 SINGLE



EDGE40 DOUBLE



EDGE40 TRIPLE

GAS TYPE	VOLTS	FREQUENCY	AMPS	SUPPLY PRESSURE	MANIFOLD PRESSURE
NATURAL	120	60 Hz	5.5	4.5"— 8" WC	4.5" WC
PROPANE	120	60Hz	5.5	10"— 13" WC	10" WC